

 blaze



B820

# blaze B820

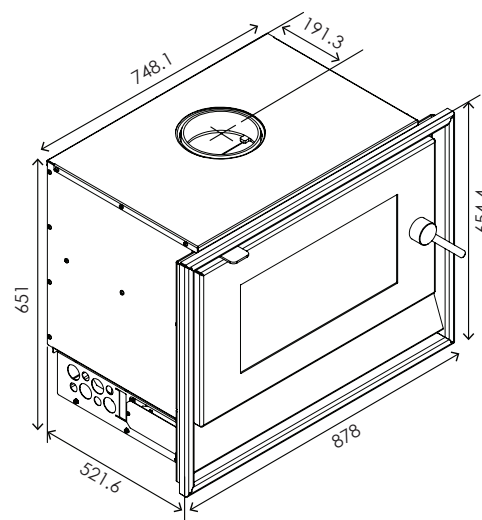
The B820 is designed to be installed into either a full masonry cavity or with optional zero clearance kit. Complete with a modern minimalistic frame to suit any modern home.

- Ability to heat a large area
- Easy to use features and simple design fits well in any living space
- 3 speed remote control fan comes standard
- Designed in Australia
- Heats up to 260m<sup>2</sup>
- 6mm steel construction

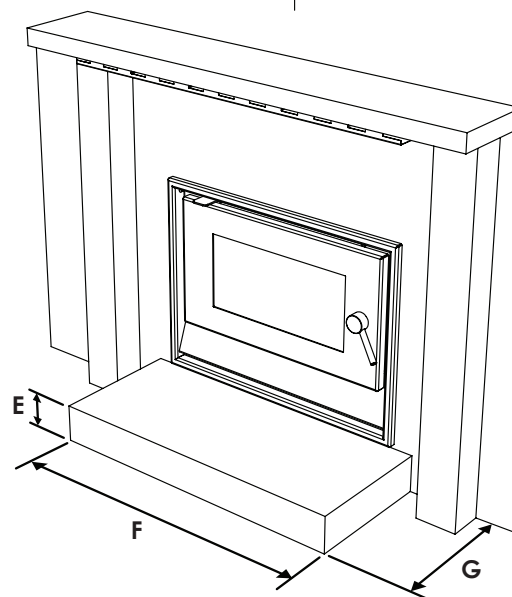
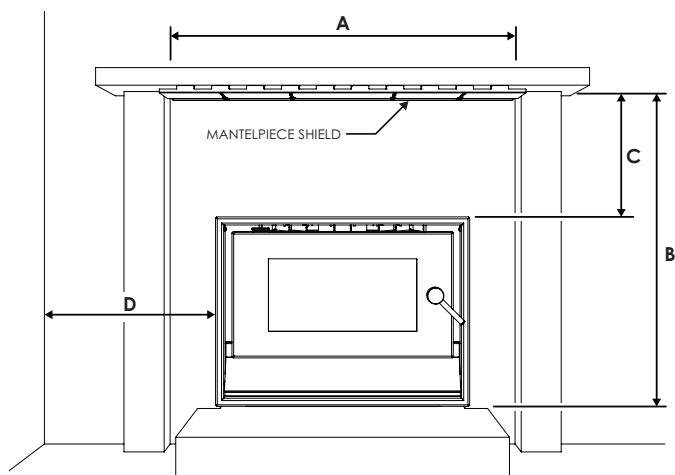


Type	In-built
Heat Output	Ave 9.2kW
Efficiency	Ave 61%
Emissions	0.9g/kg
Max Log Size	525mm

\*All dimensions contained within this document are in millimeters (mm) unless specified otherwise. In the interest of product development, Glen Dimplex Australia Pty Ltd reserve the right to change the specifications without prior notice of the Blaze range products. Refer to the Installation Manual for clarification on the clearances.



## Installation & Clearances



### CLEARANCES MASONRY INSTALLATION

	B820
<b>A</b> (Width between mantelpiece columns)	1020mm
<b>B</b> (Height to mantelpiece from hearth)	1080mm
<b>C</b> (Height to mantelpiece above air vents)	450mm
<b>D</b> (Distance to side wall from side of fascia)	250mm

### CLEARANCES FLOOR PROTECTOR

	B820	
<b>Hearth Material (or equivalent)</b>	CEMENT	SHEET BRICK
<b>E</b> (Thickness)	15mm	110mm
<b>F</b> (Width)	1000mm	1000mm
<b>G</b> (Depth from door)	500mm	300mm

### Glen Dimplex Australia Ltd

Glen Dimplex Australia Ltd's policy is one of continuous development. We reserve the right to change size and specifications without notice. For the latest product information and warranty details please refer to [www.nectre.com.au](http://www.nectre.com.au). Please refer to the installation and operation instructions before having your Blaze Wood Fire installed. A full set of these instructions is supplied with each fire.