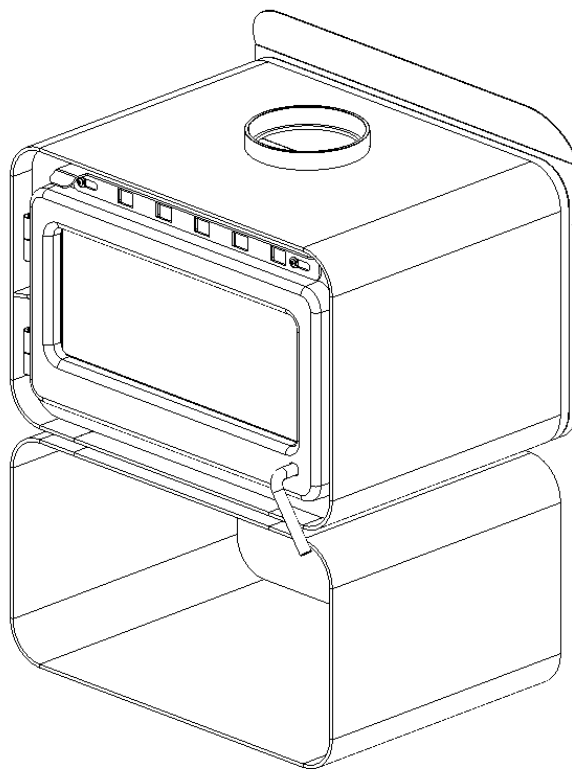




# Operating Instructions

*Contemporary and Stylish*



**B100**

**Keep instructions for future reference**



Glen Dimplex Australia proudly supports the activities of Landcare Australia through its membership of the AHHA

## TABLE OF CONTENTS

### USER INSTRUCTIONS

1.0	INTRODUCTION .....	2
2.0	USING APPLIANCE FOR FIRST TIME .....	3
3.0	RECOMMENDED FUELS .....	3
4.0	LIGHTING THE FIRE .....	3
5.0	RUNNING THE APPLIANCE .....	4
6.0	BURNING TIPS .....	4
7.0	ASH REMOVAL .....	5
8.0	FLUE/CHIMNEY FIRE .....	5
9.0	CLEANING PAINTWORK & GLASS .....	5
10.0	CLEANING THE FLUE .....	5
11.0	TROUBLESHOOTING TIPS .....	6

### MAINTENANCE & SERVICING

1.0	REPLACEMENT OF FIREBRICKS .....	6
2.0	REPLACEMENT OF ASH PLATE.....	6
3.0	REPLACEMENT OF BAFFLE .....	7
4.0	REMOVING THE DOOR .....	7
5.0	FITTING A NEW DOOR GLASS .....	7
6.0	FITTING A NEW DOOR SEAL .....	8
7.0	DOOR HANDLE ADJUSTMENT .....	8
8.0	REPLACEMENT SPARE PARTS LIST .....	8

## USER INSTRUCTIONS

### 1. INTRODUCTION

Before use of this appliance please read these instructions fully.

**WARNING: ANY MODIFICATION OF THE APPLIANCE THAT HAS NOT BEEN APPROVED IN WRITING BY THE TESTING AUTHORITY IS CONSIDERED AS BREACHING AS/NZS4013.**

**WARNING: DO NOT USE FLAMMABLE LIQUIDS OR AEROSOLS TO START OR REKINDLE THE FIRE.**

**WARNING: DO NOT USE FLAMMABLE LIQUIDS OR AEROSOLS IN THE VICINITY OF THIS APPLIANCE WHEN IT IS OPERATING.**

**WARNING: DO NOT STORE FUEL WITHIN HEATER INSTALLATION CLEARANCES.**

**WARNING: WHEN OPERATING THIS APPLIANCE AS AN OPEN FIRE USE A FIRE SCREEN.**

**WARNING: OPEN AIR CONTROL (AND DAMPER WHEN FITTED) BEFORE OPENING FIRING DOOR.**

**WARNING: DO NOT BURN WOOD THAT IS PAINTED; OR IS COATED WITH PLASTIC; OR HAS BEEN TREATED WITH ANY CHEMICAL.**

**CAUTION: THIS APPLIANCE SHOULD NOT BE OPERATED WITH A CRACKED GLASS.**

**CAUTION: THIS APPLIANCE SHOULD BE MAINTAINED AND OPERATED AT ALL TIMES IN ACCORDANCE WITH THESE INSTRUCTIONS.**

The appliance or flue system should not be modified in any way without the written approval of the manufacturer.

Extractor fans or cooker hoods must not be placed in the same room or space as this can cause appliance to emit smoke into the room.

*Our cleanburn technology promotes greater efficiency*

## Air Controls

The Blaze B100 wood heater features a single air control system. It is designed to introduce oxygen into the base of the fire controlling the rate of combustion of the wood as well as oxygen being drawn into the upper firebox where combustion of the gases occurs.

The air control is operated by sliding the black mild steel tab-like handle located on the top left front side of the heater. Sliding it to the left offers maximum burn rate, while sliding it to the right offers minimum burn rate.

Secondary air holes in the rear of the firebox provide additional oxygen for a more complete combustion of the gases released from the burning wood.

## Door Handle

**Warning:** the door handle may get hot if appliance has been left in High burn setting for an extended period of time. In which case use a protective glove or equivalent to open.

Open air slide before opening the door to eliminate the chance of backdraft and/or smoke entering the room.

## 2. USING APPLIANCE FOR FIRST TIME

- First few times the appliance is lit, it will give off some odorous fumes. This is caused by the paint curing.
- Do not touch the paint work while it is curing otherwise it can leave a permanent mark on the appliance.
- Once the paint has cured it will not re-occur.
- Keep the room well ventilated until these fumes have cleared.

## 3. RECOMMENDED FUELS

- Burn only seasoned hardwood timber with a moisture content of less than 20%.
- Newly cut wood should be allowed to dry/season for 12 to 18 months before use.
- Wood should be stored in an environment protected from the weather to minimise any potential moisture content.
- For best results, wood should not exceed 270mm in length and 150mm diameter. Any larger and appliance will not operate at its optimum. It is better to burn several smaller pieces of wood than one large single piece.
- Poor quality timber:
  - Causes low combustion efficiency
  - Produces poor emissions (smokey)
  - Results in additional buildup of creosote (soot) in the flue which will then require regular cleaning and may result in a flue fire.
- ***Do not burn painted, impregnated/treated wood, manufactured board products or pallet wood.***

## 4. LIGHTING THE FIRE

- Place firelighters or paper and dry kindling wood in the base of the firebox.
- Light the paper or firelighters.
- Open the air control located on the top left corner of the appliance by sliding to the left of the appliance.

- If necessary, leave the door slightly open as the fire establishes and the glass warms to avoid the build-up of condensation.
- Add larger pieces of wood. Too many logs may smother the fire.
- Close the door.
- ***Do not leave fire unattended while door is not closed.***

## 5. RUNNING THE APPLIANCE

### Maximum Heat Output

- After establishing the fire and loading it with larger pieces of wood, leave it running with the air slide fully open (pulled all the left).
- This setting will generate maximum heat output.
- Running the appliance with the door open will not produce maximum heating in the room as it will draw a lot of already warmed air out of the room.
- ***Do not overload firebox with fuel.***
- Note that this setting is not the most energy efficient as some heat is lost up the flue instead of being transferred into the room. However, once fire has established, particulate emissions will be very low, i.e. no smoke, which is good.

### Low Heat Output

- The heat output of the appliance can be reduced by closing the air slide which will restrict the oxygen supplied to the fire and slow down the rate at which the wood burns.
- This setting will provide the best energy efficiency as the wood burns for longer. However, if not operated correctly may result in higher particulate emissions.
- ***Prior to closing the air slide*** ensure that the fire is burning briskly. This may require opening the air slide fully for 5-10mins before shutting down.
- For the optimum between clean burning, and getting the best in efficiency, from the fully closed position, open the air slide 4-5mm.
- The air slide can be adjusted to any position so desired depending on wanted heat output versus burn time.

### Reload with more wood

- 1) Open air slide before opening door.
- 2) Rake / break up any existing coals.
- 3) Load the wood with the length orientated front to back.
- 4) Better results will be achieved by loading several smaller pieces of wood than one large piece.
- 5) Close door with air slide fully open, and leave for minimum of 10 minutes to allow the fresh wood to catch.
- 6) After 10 or more minutes, the air slide can be adjusted to the desired heat output setting.

## 6. BURNING TIPS

### Fuel Quality

Use wood with a moisture content of less than 20%. Logs should not feel moist or damp, or have moss and fungal growths.

Symptoms related to wet wood:

- Difficulty starting and keeping a fire burning well.
- Smoke and only small flames.
- Dirty glass and/or fire bricks.
- Rapid creosote build-up in the flue/chimney.
- Low heat output.
- Short burn times, and blue/grey smoke from the flue/chimney outlet.

Run appliance at high heat output for a short period each day to avoid large build-up of tars and creosote within the appliance and flue.

### Flue Draught

The flue has two main functions:

- 1) To safely remove smoke, gases and fumes from the appliance.
- 2) To provide a sufficient amount of draught (suction) in the appliance to ensure the fire keeps burning.

Draught is caused by the rising hot air in the flue when the fire has been lit.

The position, height and size of the flue can affect the performance of the flue draught. Refer to installation guide for details on flue installation.

Factors affecting the flue draught include:

- Insufficient flue height
- Trees or other buildings nearby causing turbulence
- High and gusty winds
- Outside temperature and weather conditions
- Blocked flue

For advice on the correction of persistent flue problems consult your supplier/installer for more detail.

## 7. ASH REMOVAL

Depending on the type of wood burnt and frequency, the ashes will need removing every 2 to 6 weeks.

Excess ashes should be removed when necessary, placed in a non-combustible container with a tightly fitting lid and moved outdoors immediately to a location clear of combustible materials.

## 8. FLUE/CHIMNEY FIRE

If a flue/chimney fire occurs:

- Shut air slide control fully to smother the fire
- Do not use the appliance after a flue fire until an accredited installer has assessed the cause and any resultant damage.

## 9. CLEANING PAINT WORK & GLASS

- The appliance, when cool, can be cleaned with a damp cloth.
- Over the years, the black paint will fade and can be touched up with Stove Bright metallic black paint.
- To clean the glass, we recommend using a household window cleaner or general purpose cleaner with a soft cloth.
- ***Do not use abrasive cleaner or scourer pads.***

## 10. CLEANING THE FLUE

- Check inside of flue prior to each season for any build-up of creosote (wood tar). To do this:
  - First remove the baffle (refer to “2. Replacement of Baffle” under Maintenance & Servicing section).
  - Using a small mirror and torch hold the mirror on an angle below the flue with the torch shining at it and look for black creosote build-up. If only a fine black powdery layer then that is normal, but if built up layers of creosote can be seen, then the flue needs cleaning.
  - Refit the baffle if no cleaning is required.
- To clean the flue:
  - A flue cleaning brush can be purchased from most wood heater retail outlets or large hardware stores.
  - The objective is to pull the brush down through the flue.
  - With the baffle removed, tie a rope to one end of the brush, and drop the rope from the top (outside on top of the roof) down the flue.
  - Grab the end of the rope inside the firebox and pull the brush through.
  - Check the inside of the flue with the mirror and torch. Repeat if necessary.
  - Once clean, remove any excess creosote from the firebox and replace the baffle.
- Alternatively, get a flue cleaning service to do the job for you (it’s a dirty job).
- Check flue integrity by checking that the 900mm flue sections have not separated at the joins.

## 11. TROUBLESHOOTING TIPS

### Glass in door blackening

This can have several possible causes:

- **Burning unseasoned wood** — if the wood is too wet, it will cause the glass to blacken.
- **Appliance operated at low temperature** — after an overnight burn where the air slide control has been fully closed, the glass may have blackened. When the fire is re-stoked and burning on the high heat setting, the blackened glass should self-clean.
- **Problems with the flue** — insufficient flue draught can cause the glass to blacken. If the flue is too short, not properly insulated, or in a position that results in a downdraught, then there will be insufficient flue draught. Contact the installer should this happen.

### Trouble starting the fire

If all ash has been removed from the firebox, then it can upset the supply of air to the base of the fire. It can aid the fire by retaining some ash when cleaning out the firebox.

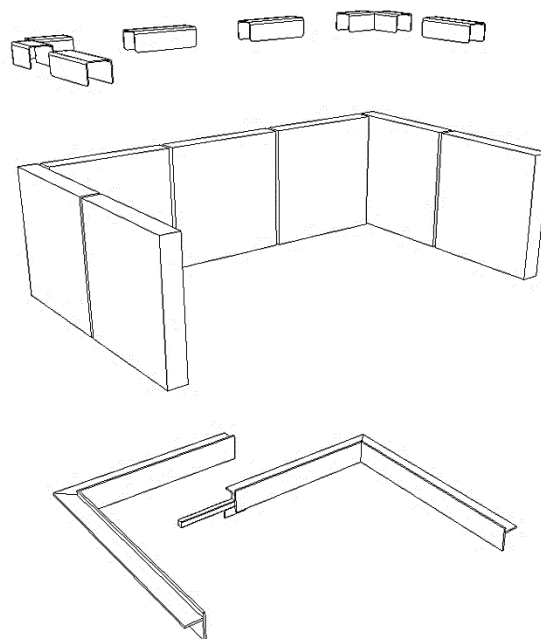
## MAINTENANCE & SERVICING

### 1. REPLACEMENT OF FIREBRICKS

The purpose of the firebricks in the appliance is to increase thermal mass and to guarantee the longevity of the steel firebox. Over time the firebricks may become cracked and crumble away. If so, then they should be replaced soon after.

To replace the firebricks:

- 1) Move any ash away from the base of the bricks.
- 2) Remove the brick retainers and remove the bricks.
- 3) Replace with new bricks, and refit the retainers which hold the bricks in place.



### 2. REPLACEMENT OF ASH PLATE

The ash plate acts to protect the front of the firebox below the door opening from the hot coal bed and fire.

To replace the ash plate:

- 1) Move any ash away from the base of the plate.
- 2) Unscrew the M8 Allen key screw and remove plate.
- 3) Replace with new plate and refit screw.

### 3. REPLACEMENT OF BAFFLE

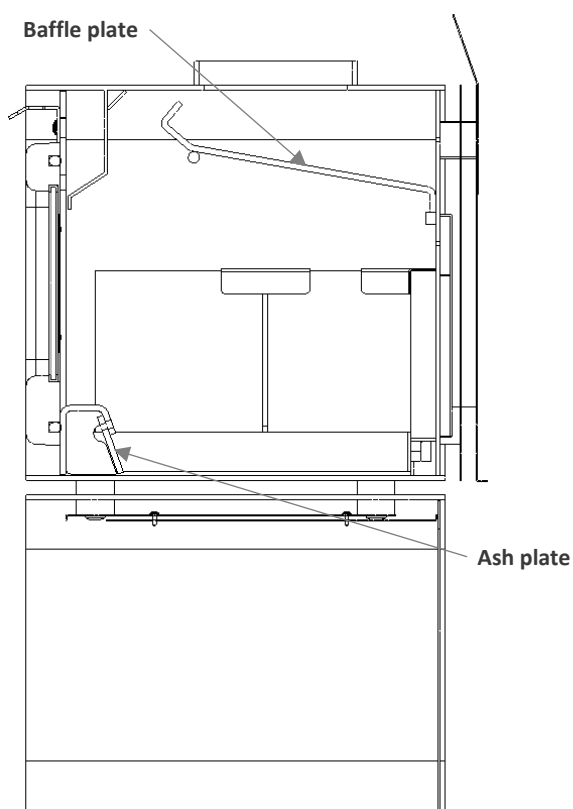
The 6mm thick steel baffle helps to retain the heat in the firebox by lengthening the path of the flame so that they do not go straight up the flue.

Over time, the baffle will begin to sag a little due to the excessive heat. This will not affect the way the fire burns.

Eventually the baffle will burn through (5+ years) and if so will need to be replaced.

To remove the baffle:

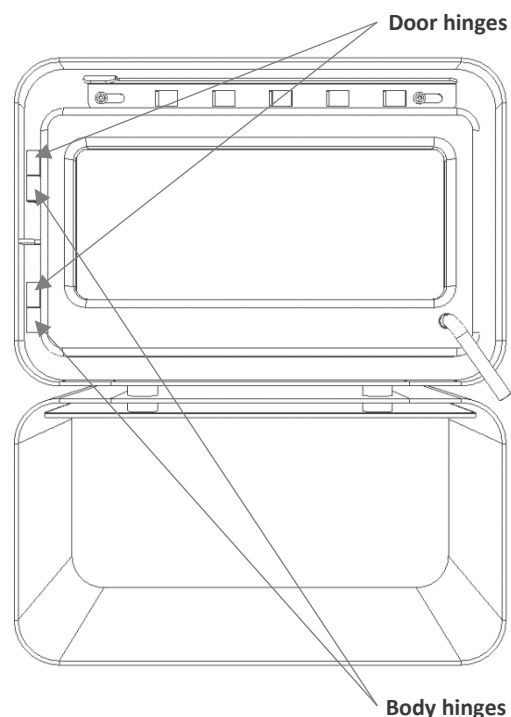
- 1) Remove any excess ash and coals.
- 2) Remove the brick retainer and bricks from the rear and sides of the firebox.
- 3) Lift the baffle up at the back enough to clear the rear support pegs and slide forward so that the baffle can be lowered at the back.
- 4) Lowering the rear of the baffle will allow the front of the baffle to slide past the front support pegs on the sides of the firebox.
- 5) Once the baffle has cleared the front support pegs, angle it so that it can be removed from the firebox with one side in the upper corner of the door opening and the other in the opposite lower corner of the firebox.
- 6) Repeat steps 1 to 6 in reverse to replace with the new baffle.



### 4. REMOVING THE DOOR

To remove the door:

- 1) Open the door until it rests against the door stop.
- 2) Lift the door upwards until the door hinges are freed from the body hinges.
- 3) If the door is not easy to lift upwards, swing the door back and forth whilst applying an upward force to overcome the static friction.



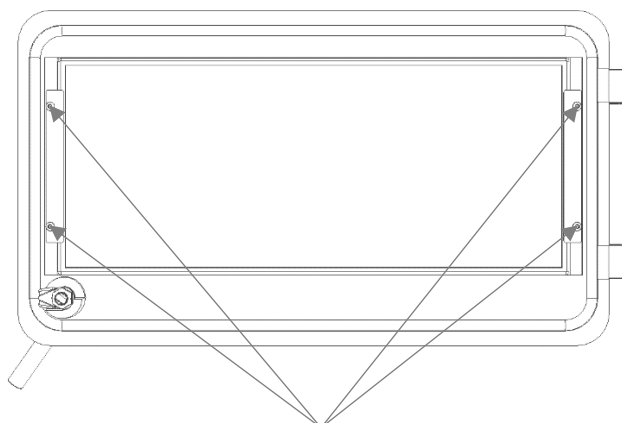
### 5. FITTING A NEW DOOR GLASS

This task may be easier with the door removed from the appliance and laid horizontally on a work-bench.

To replace the door glass:

- 1) Two stainless steel strips hold the glass in place. Remove the four M4 size Phillips head screws from the stainless steel strips.
- 2) Take out the glass, and check if the grey rope beneath needs replacing. If so replace this rope as well.
- 3) Position the new glass on top of the grey rope and re-fit the stainless steel strips and M4 screws.
- 4) Take extra care not to over-tighten the screws, otherwise the glass will crack when the heater gets hot and the door expands.

- 5) On occasion, the M4 screws will have deteriorated from the constant heat in the firebox resulting in them snapping off when trying to loosen them. In this case, a new hole can be drilled in the door and tapped using a 3.4mm drill bit, and M4 tap.

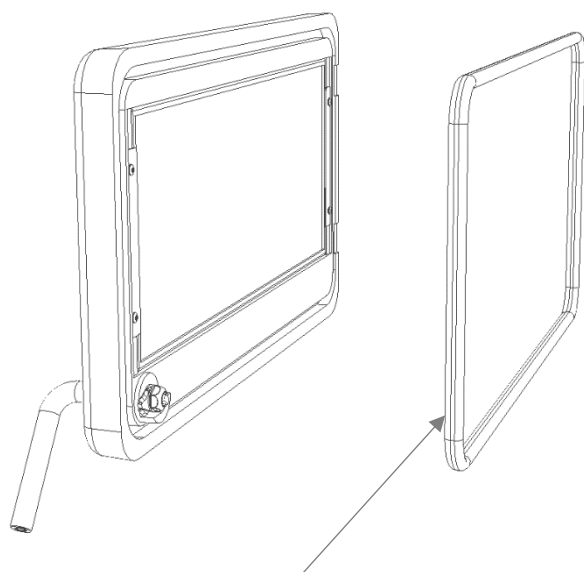


Phillips head screws

## 6. FITTING A NEW DOOR SEAL

This task may be easier with the door removed from the appliance and laid horizontally on a work-bench.

- 1) Remove any old seal from the door.
- 2) Clean out the groove in the door that the seal was bedded in using a flat-end screw driver or equivalent.
- 3) Run a thin bead of clear roof and gutter silicone along the groove.
- 4) Starting at one end, press the new door seal into the groove on the door.
- 5) Refit the door if it has been removed and close.



Door seal

## 7. DOOR HANDLE ADJUSTMENT

Over time, the door seal can become compressed resulting in a less than adequate seal between the door and the front edge of the firebox. For example, if the wood burns unusually fast even with the air slide shut, it may mean that there is an air leak around the door.

In this situation, the door seal does not necessarily need replacing rather adjustment of the door handle can tighten the seal.

- 1) Remove the nut from the door handle shaft inside the door.
- 2) Remove the latch and remove one washer.
- 3) Replace the latch and then place the removed washer on the other side.
- 4) Refit the nut. Do not over tighten otherwise door handle will not turn easily.

If door seal is still not tight then replace door seal.

## 8. REPLACEMENT SPARE PARTS LIST

### Firebricks

B100 7 @ 170mm x 170mm x 25mm

### Baffle Plate

B100 570mm x 275mm x 6mm

### Ash Deflector

B100 500mm x 60mm x 6mm

### Door Seal

B100 1520mm x 13mm round

### Glass Seal

B100 1315mm x 8mm x 3mm

### Brick Retainer Lower Brackets

B100 1 x left retainer  
1 x right retainer

### Brick Retainer Upper Brackets

B100 2 x corner brick retainer  
4 x flat brick retainer

### Door Glass

B100 468mm x 200mm x 5mm pyro ceramic











Glen Dimplex Australia Pty Ltd

8 Lakeview Drive,  
Scoresby Victoria 3179  
Australia

T: 1300 556 816 | F: 1800 058 900

Email: [sales@glendimplex.com.au](mailto:sales@glendimplex.com.au)

---