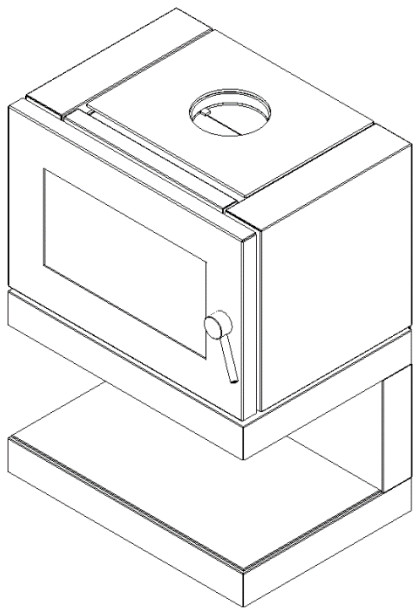


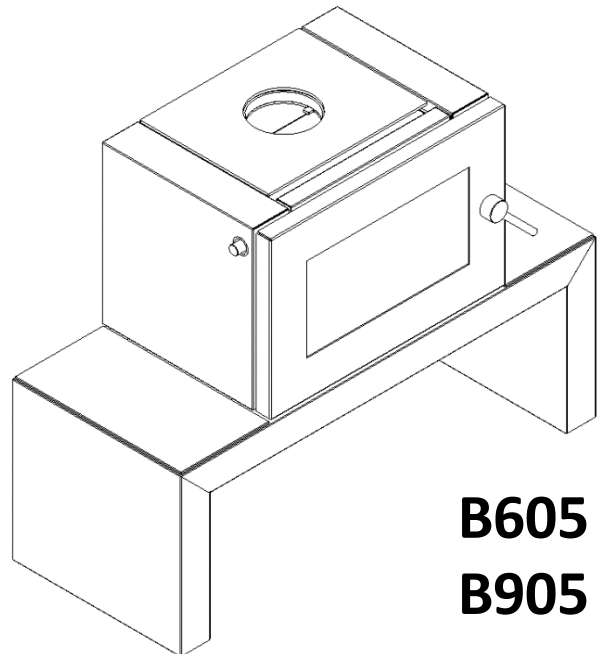


# Installation Instructions

Contemporary and Stylish



**B600**  
**B900**



**B605**  
**B905**



## TABLE OF CONTENTS

1.0	IMPORTANT INFORMATION .....	2
2.0	ASSEMBLING THE HEATER .....	3
3.0	INSTALLING THE HEATER .....	3
4.0	REDUCING CLEARANCES TO COMBUSTIBLES ...	6
5.0	INSTALLING THE FLUE .....	6
6.0	INSTALLING THE BAFFLE PLATE .....	7
7.0	INSTALLING THE ASH PLATE .....	8
8.0	INSTALLING THE FIREBRICKS .....	8
9.0	RELOCATING THE FAN ASSEMBLY .....	8
10.0	RELOCATING THE BLANKING PLATES .....	9
11.0	INSTALLING THE GLASS PANELS .....	9
12.0	TECHNICAL DRAWINGS .....	10

### THE INSTALLATION INSTRUCTIONS IN THIS MANUAL APPLY TO THE BLAZE B600/B900 & B605/B905.

THEY HAVE BEEN TESTED FOR EMISSIONS AND EFFICIENCY AND COMPLY ACCORDING TO AS/NZS 4012:2014 & AS/NZS

## 1. IMPORTANT INFORMATION

Most building regulatory Authorities in Australia require any wood heater installation to comply with Installation Standard AS/NZS 2918:2001. Different states and councils may have varying regulations. Check local building regulations before installing the appliance.

All Blaze wood heaters have been tested to ensure that they will meet the appropriate safety Standard requirements if the instructions in this manual are followed. As the safety and emissions performance can be affected by altering the appliance, no modifications are allowed without written permission from the manufacturer.

**WE RECOMMEND THAT THE INSTALLATION OF YOUR BLAZE WOOD HEATER BE CARRIED OUT BY A QUALIFIED INSTALLER.**

**WARNING: THE APPLIANCE AND FLUE SYSTEM SHALL BE INSTALLED IN ACCORDANCE WITH AS/NZS 2918:2001 AND THE APPROPRIATE REQUIREMENTS OF THE RELEVANT BUILDING CODE OR CODES.**

**WARNING: APPLIANCES INSTALLED IN ACCORDANCE WITH THIS STANDARD SHALL COMPLY WITH THE REQUIREMENTS OF AS/NZS 4012 & AS/NZS 4013 WHERE REQUIRED BY THE REGULATORY AUTHORITY, I.E. THE APPLIANCE SHALL BE IDENTIFIABLE BY A COMPLIANCE PLATE WITH THE MARKING 'TESTED TO AS/NZS 4012 & AS/NZS 4013'.**

**ANY MODIFICATION OF THE APPLIANCE THAT HAS NOT BEEN APPROVED IN WRITING BY THE TESTING AUTHORITY IS CONSIDERED TO BE IN BREACH OF THE APPROVAL GRANTED FOR COMPLIANCE WITH AS/NZS 4012 & AS/NZS 4013.**

**CAUTION: MIXING OF APPLIANCE OR FLUE-SYSTEM COMPONENTS FROM DIFFERENT SOURCES OR MODIFYING THE DIMENSIONAL SPECIFICATION OF COMPONENTS MAY RESULT IN HAZARDOUS CONDITIONS. WHERE SUCH ACTION IS CONSIDERED, THE MANUFACTURER SHOULD BE CONSULTED IN THE FIRST INSTANCE.**

**CAUTION: CRACKED AND BROKEN COMPONENTS, EG. GLASS PANELS OR CERAMIC TILES, MAY RENDER THE INSTALLATION UNSAFE.**

## 2. ASSEMBLING THE HEATER

This Blaze heater will arrive in two parts, the firebox body and the base unit representing the B600/B900 or the B605/B905.

### B600 / B900

The firebox body has four locating pins on the bottom. Place the body on to the base so that the pins fall into the four holes in the base unit. There is a small amount of movement between the pins and the holes, adjust the body so that it is lined up vertically with the base unit.

A black toughened glass panel will be wrapped with the base unit. Unwrap it, position on the base of the unit, lined up with the sides of the base and pushed up against the rear wall of the base unit. (refer to section “11. Installing the Glass Panels” for more detail).

Connect the power lead from the rear of the heater to a power point for the fan to work.

### B605 / B905

With the B605 / B905 models, the firebox body can be located in one of three positions on the base unit, in the centre, on the left, or on the right side of the base.

The firebox body has four locating pins on the bottom. Place the body on to the base so that the pins fall into the four holes in the base unit. There is a small amount of movement between the pins and the holes, adjust the body so that it is lined up vertically with the base unit.

The default assumes the firebox will be positioned in the centre. If wanting to install the heater with the firebox on the left or the right side of the base, the fan will need to be relocated to line up with the location of the firebox, as well as relocating the blanking plates. Depending on which side, the fan controller box may also need to be relocated.

To relocate the fan, refer to section “9. Relocating the Fan Assembly” for details.

To relocate the blanking plates, refer to section “10. Relocating the Blanking Plates” for details.

To fit the glass panels on top of the base, refer to section “11. Installing the Glass Panels” for details.

## 3. INSTALLING THE HEATER

### 3.1 Positioning the Heater

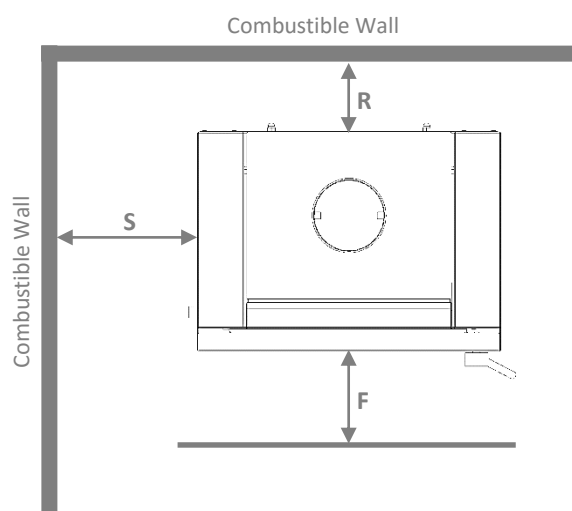
First review the necessary **minimum** clearances specified below before considering where to position the heater. These clearances can be greater if desired.

Also check the practicability of installing the flue system in relation to any obstructing roof beams before positioning the heater.

These clearance distances can only be reduced if the surrounding walls are made of non-combustible material, e.g. Stone, brick, or concrete. If non-combustible material, distance can be reduced to 100 mm. Alternatively, shielding of the wall(s) can reduce clearances (refer to next section for more detail).

Depending on the type of flue shielding used, the clearances to combustible surfaces varies.

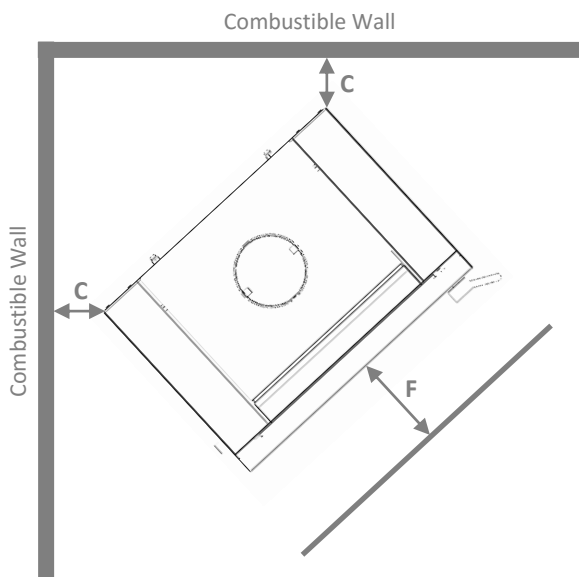
#### 3.1.1 B600 & B900 – Standard Installation



B600 / B900 - Standard Installation - minimum clearances

Model	S	R	F
B600 (rear flue shield)	425	150	300
B600 (decro-mesh)	425	225	300
B900 (rear flue shield)	375	175	300
B900 (decro-mesh)	375	225	300

### 3.1.2 B600 & B900 – Corner Installation

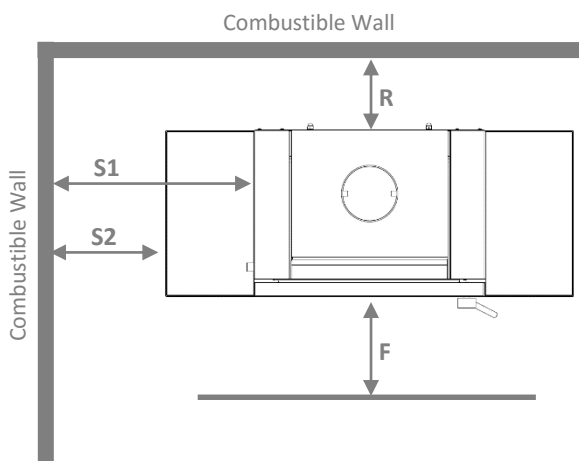


B600 / B900 - Corner Installation - minimum clearances

Model	C	F
B600 (rear flue shield)	150	300
B600 (deco-mesh)	150	300
B900 (rear flue shield)	150	300
B900 (deco-mesh)	150	300

### 3.1.3 B605 & B905 – Standard Installation (Middle)

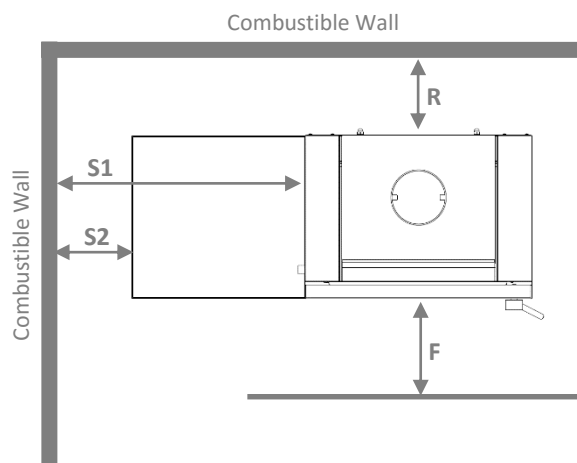
Note: B605 & B905 models have the same rear, side, and front clearances relative to the firebox body as the B600 & B900.



B605 / B905 – Standard Install (Middle) – minimum clearances

Model	S1	S2	R	F
B605 (rear flue shield)	425	175	150	300
B605 (deco-mesh)	425	175	225	300
B905 (rear flue shield)	375	95	175	300
B905 (deco-mesh)	375	95	225	300

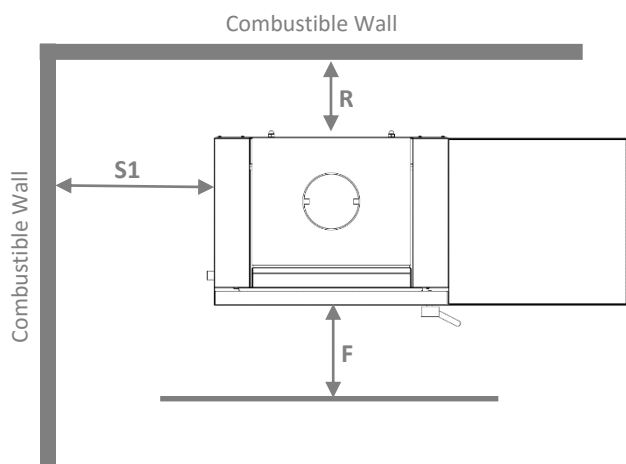
### 3.1.4 B605 & B905 – Standard Installation (Right)



B605 / B905 – Standard Install (Right) – minimum clearances

Model	S1	S2	R	F
B605 (rear flue shield)	505	0	150	300
B605 (deco-mesh)	505	0	225	300
B905 (rear flue shield)	560	0	175	300
B905 (deco-mesh)	560	0	225	300

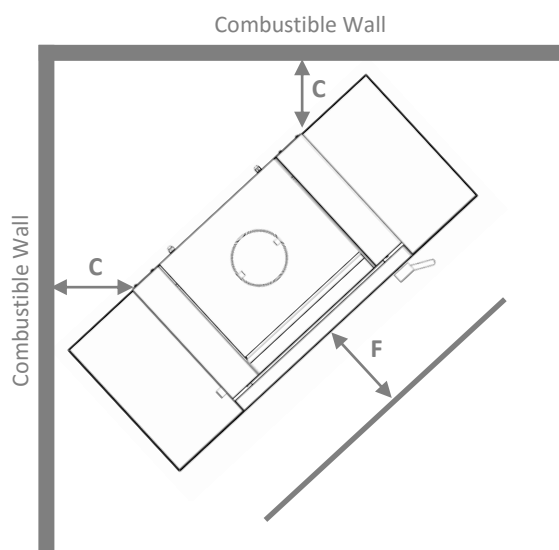
### 3.1.5 B605 & B905 – Standard Installation (Left)



B605 / B905 – Standard Install (Left) – minimum clearances

Model	S1	R	F
B605 (rear flue shield)	425	150	300
B605 (decro-mesh)	425	225	300
B905 (rear flue shield)	375	175	300
B905 (decro-mesh)	375	225	300

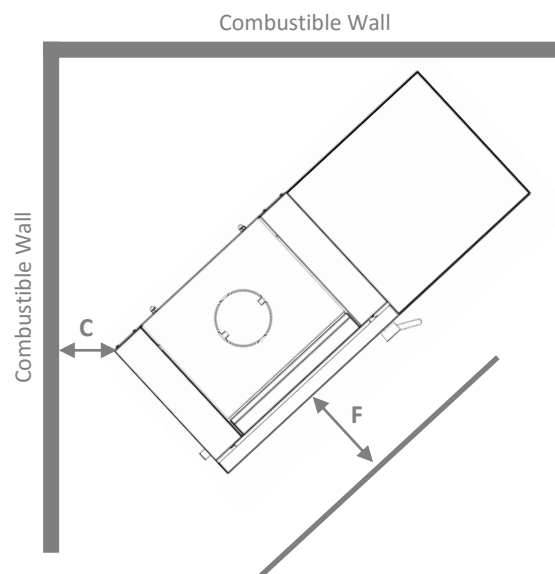
### 3.1.6 B605 & B905 – Corner Installation (Middle)



B605 / B905 - Corner Install (middle) - minimum clearances

Model	C	F
B605 (rear flue shield)	150	300
B605 (decro-mesh)	150	300
B905 (rear flue shield)	150	300
B905 (decro-mesh)	150	300

### 3.1.7 B605 & B905 – Corner Installation (Left/Right)



B600 / B900 - Corner Installation - minimum clearances

Model	C	F
B605 (rear flue shield)	150	300
B605 (decro-mesh)	150	300
B905 (rear flue shield)	150	300
B905 (decro-mesh)	150	300

### 3.2 Floor Protector (Hearth)

Unless the heater will be standing on a heat resistant floor such as concrete slab with slate or tiles, it will be necessary to provide a floor protector (hearth).

The dimensions given above (Section 3.1) are the minimum required for the floor protector to extend beyond the firebox door opening. It must extend no less than 300 mm in front of the door opening, no less than 200mm either side of the door opening, and extend under the heater.

Model	Door Opening Width (mm)	Minimum floor protector width (mm)
B600 / B605	500	900
B900 / B905	600	1000

It may be desirable, for example aesthetic reasons, for the floor protector to be larger than these minimum dimensions.

The floor protector can be constructed of either: -

- 10mm thick toughened glass, OR
- Non-combustible material no less than 7.5mm thick and with a thermal conductivity not greater than 0.33W/m °K, e.g. compressed cement sheet.

The floor protector may be laid directly on the combustible floor.

For more details and variations on floor protectors refer to AS/NZS 2918:2001 Clause 2.2, 3.3.1, & 3.3.2.

#### 4. REDUCING CLEARANCES TO COMBUSTIBLES

If it is necessary to install a heater closer to a combustible surface than the stated requirements in Section 3 of this Installation Guide, it must be done in accordance with Australian Standard AS/NZS 2918:2001 Section 3, Tables 3.1 & 3.2.

**Shield Construction:** The shield shall be constructed from a heat resistant material. The shield must be fixed to the surface that requires protection and NOT the heater.

The Standard allows three options to reduce stated clearances.

Single layer of continuous material with Minimum Air Gap of 12mm—Clearance Factor = 0.40

Single layer of continuous material with Minimum Air Gap of 25mm—Clearance Factor = 0.30

Two spaced layers of continuous material with Minimum Air Gaps of 12mm + 12mm—Clearance Factor = 0.20

The shielding must be open at the top and bottom (vented) to allow a continuous air flow. It is this air flow that keeps the surface requiring protection cool. Fixings should not impede this air flow.

The shielding needs to go far enough along and up the wall so that the original side and rear required clearances are not compromised. As the flue is now closer to the wall the shielding should also protect the wall from the flue pipe.

##### For example:

Side wall clearance for the B600 C is 425 mm.

A 12mm gapped shield on the wall with a factor of 0.40.

Calculate: - 425 mm x 0.40 = 170 mm. This is the new side wall minimum clearance.

The shielding needs to be large enough so that none of the original clearances of 425 mm are compromised.

#### 5. INSTALLING THE FLUE

The flue system used when installing the heater MUST comply with the current installation standard AS/NZS 2918.

Full instructions on the installation of the flue will be supplied with the flue kit. These MUST be followed closely, including the minimum exit height from the top of the floor protector being not less than 4.6m, and the minimum exit height above the roof line of roof ridge as detailed in the instructions.

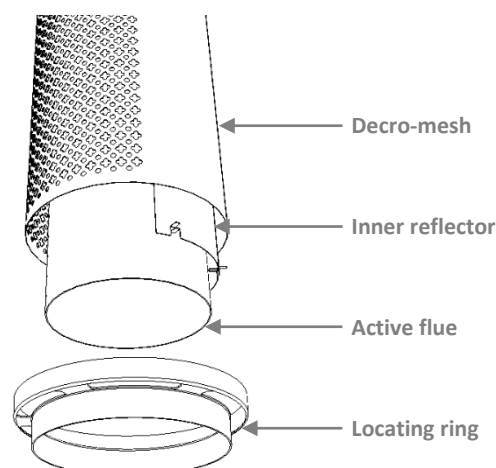
The flue must be fitted with one of the following:

- 1) **Rear flue shield** – 900 mm long, minimum 160° arc, stainless steel unpainted rear flue shield with 25mm gap between it and the 150mm diameter active flue, and 25mm above the top of the heater, OR

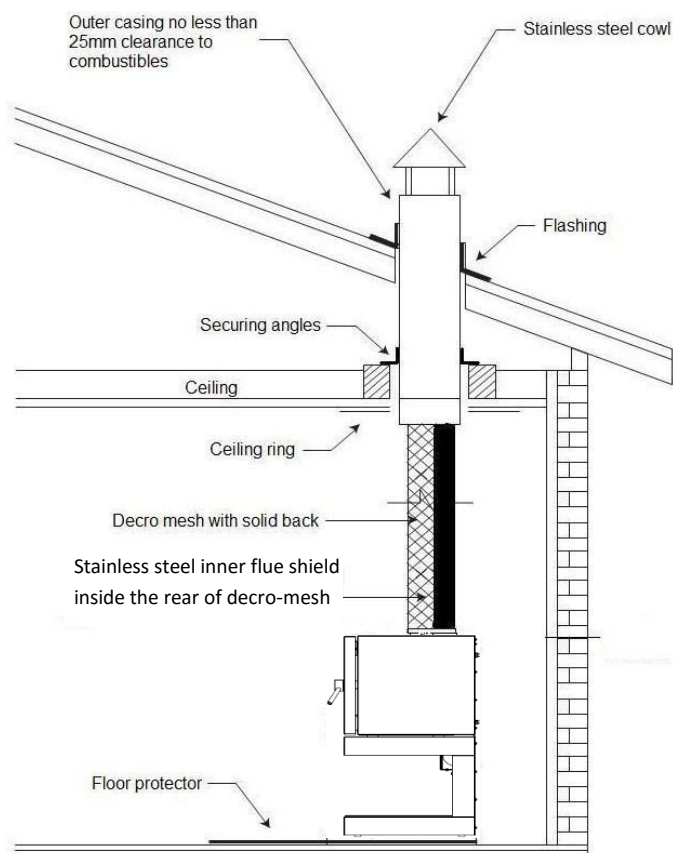
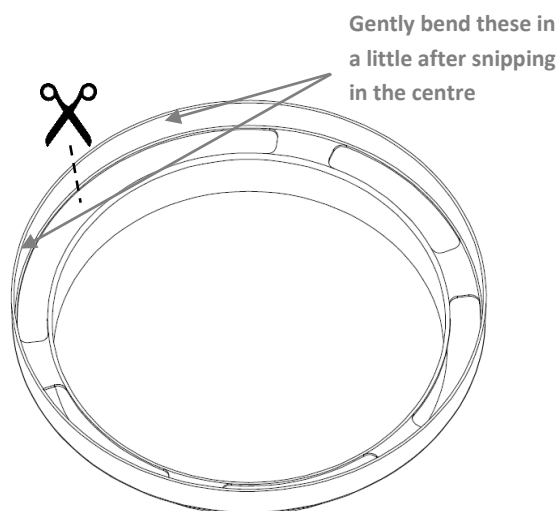
- 2) **Decro-mesh:** -

**Note: MUST be installed with the manufacturer's 490mm tall inner flue shield AND ventilated decro-mesh locating ring.**

- A full length, half radius perforated decro-mesh flue shield extending from the heater through into the drop box penetrating the ceiling with the perforated surface facing the front.
- The 490 mm half round stainless steel inner reflector supplied with heater must be fitted inside the decro-mesh.
- **The manufacturer's decro-mesh 'locating ring' must be used to support the decro-mesh and inner shield up off the heater top.** It is important that air can be drawn into the base and rear of the decro-mesh.
- Place the locating ring above the flue spigot (resting on the top plate) and then place the first length of 150mm active flue into the spigot. With the 490mm inner shield fitted inside the decro-mesh, slide the decro-mesh over the active flue. Locate the bottom of the decromesh and inner shield inside the locating ring.



- Depending on the supplier, decro-mesh can be one of three sizes – 200 mm, 7 ¼ inch, or 8 inch diameter. The decro-mesh ring will fit the two smaller diameters but not the 8 inch. In this scenario, snip through the outer ring with tin-snips as shown in the drawing below. Bend the two “arms” in a little so they ends don’t project out when fitted to the decro-mesh. Ensure that the snipped section is at the rear of the flue, out of sight.



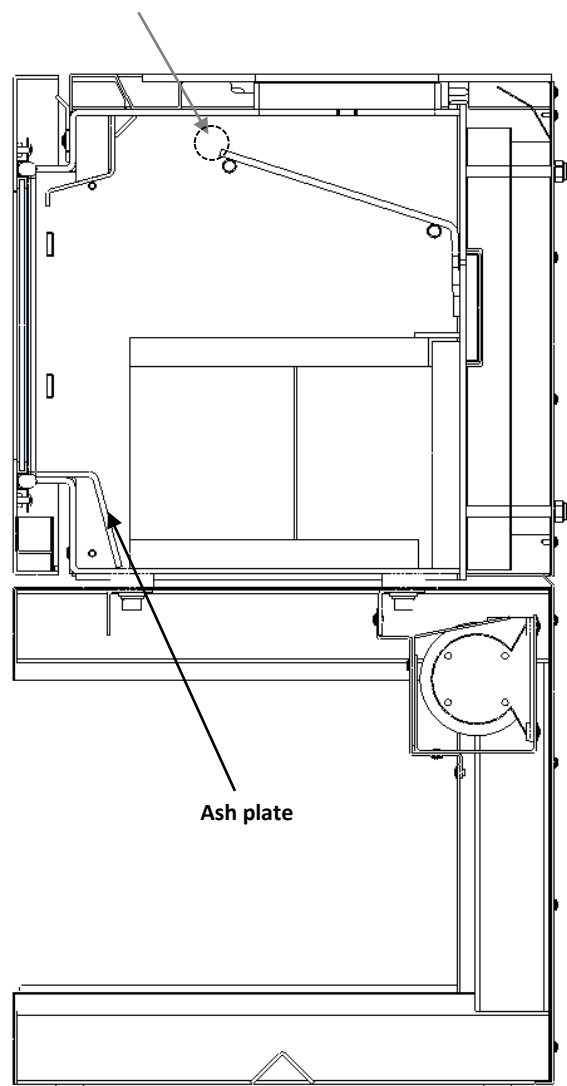
If the draft is insufficient or periodic down drafting occurs and the heater smokes or only burns slowly, extending the flue or fitting a specialist cowl will usually resolve the issue.

## 6. INSTALLING THE BAFFLE PLATE

The baffle plate should be installed before installing the fire bricks.

- Place the baffle inside the firebox with the slotted fold directed downwards and at the rear of the firebox (refer to following diagram for correct orientation).
- Raise the front of the baffle, tilting it back so that it clears and rests on the front support rods.
- Raise the rear of the baffle, bringing it forward enough to clear the rear support rods.
- Once clear of the rear support rods, push the baffle back so that it is resting hard up against the rear of the firebox.
- Centralise the baffle so that gaps between each side and firebox are equal.

Note – the B900 & B905 baffle plate has an additional fold in this location



## 7. INSTALLING THE ASH PLATE

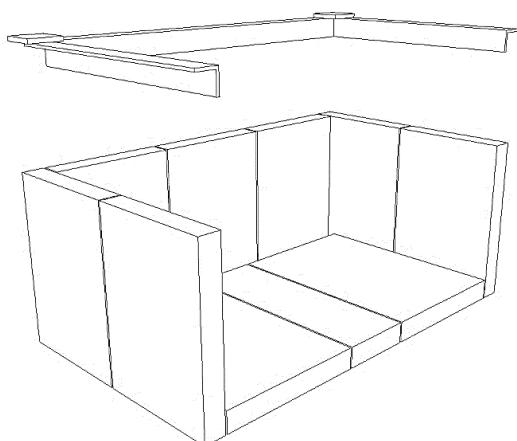
The ash plate acts to protect the front of the firebox below the door opening from the hot coal bed and fire.

When positioning the ash plate, ensure that the front face is flush with the door opening face, as shown in the above diagram.

## 8. INSTALLING THE FIRE BRICKS

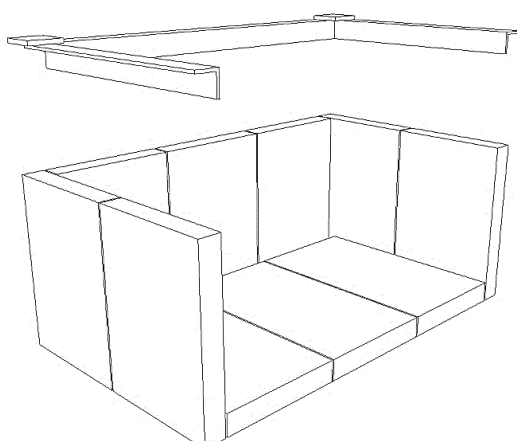
### B600 & B605 – Brick Layout

- 1) Place three medium size bricks (200 x 145 x 25) along the back.
- 2) Place two medium size bricks along each side.
- 3) Place two large size bricks (255 x 175 x 25) and one small size brick (255 x 85 x 25) in the base.
- 4) Place brick retainer on top to hold bricks upright.



### B900 & B905 – Brick Layout

- 1) Place three small size bricks (255 x 175 x 25) along the back.
- 2) Place two small size bricks along each side.
- 3) Place three large size bricks (285 x 175 x 25) in the base.
- 4) Place brick retainer on top to hold bricks upright.



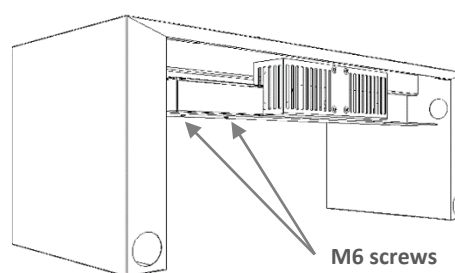
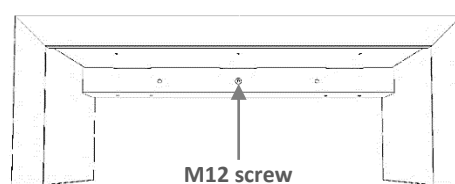
## 9. RELOCATING THE FAN ASSEMBLY

In the B605 & B905 models, the fan assembly is located in the centre of the base unit by default. If choosing to install the body on either side of the base, the fan assembly will need to be relocated to the same side.

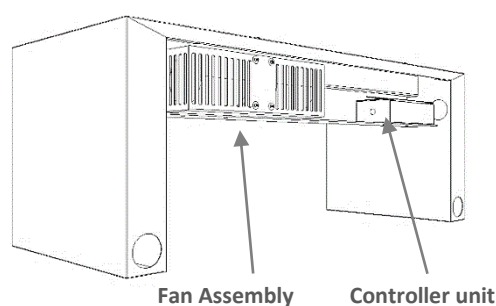
The fan assembly consists of the fan and the controller unit.

- 1) To relocate the fan remove the M12 screw with the Allen key supplied.
- 2) Slide the fan across to the relevant side beneath the firebox body and refit the M12 screw in the new location (note, depending on which side, this may require moving the controller unit first).
- 3) To relocate the controller unit remove the M6 screws with the Allen key supplied.
- 4) Relocate the controller unit to the other side of the base and refit the M6 screws in the new location.

### Default Fan Assembly Configuration



### Right Body Fan Assembly Configuration





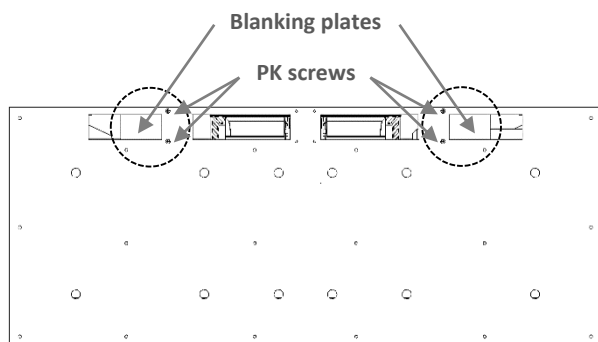
## 10. RELOCATING THE BLANKING PLATES

The B605 & B905 has two blanking plates which sole purpose is to block out a sliver light that can be seen between the firebox body and the glass panel. The blanking plates are located in the two outer openings by default, as shown below. If choosing to install the body on either side of the base unit, both blanking plates will need to be removed and one refitted in the centre on the opposite side to the firebox body.

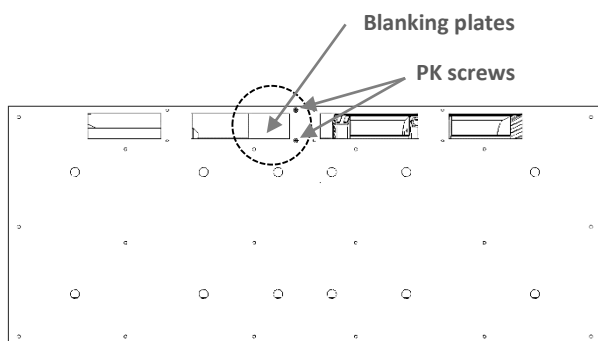
Each blanking plate assembly consists of two PK10x0.5inch screws and 1 folded piece of sheet steel.

- 1) To relocate the blanking plate remove the PK screws with a standard Phillips head screwdriver.
- 2) Move the plate to the desired location, ensuring that the fold is located at the rear and that the holes line up.
- 3) Refit the PK screws.

### Default Blanking Plates Configuration



### Right Body Plates Configuration



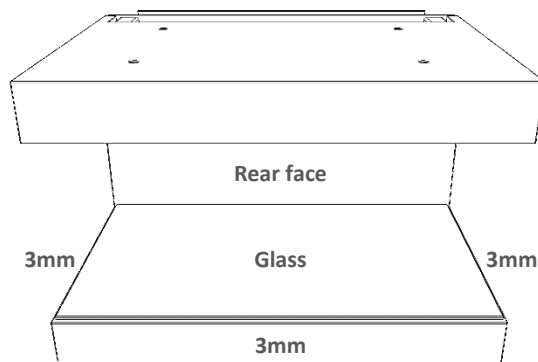
### Left Body Plates Configuration

The location of the blanking plate for the left body configuration is the reverse of the right body configuration.

## 11. INSTALLING THE GLASS PANELS

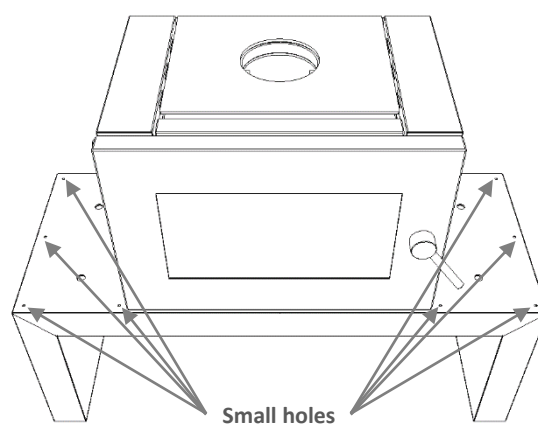
### B600 & B900 – Glass Location

- 1) Place glass inset 3mm from each side of the base.
- 2) Slide glass back until it butts with the base rear face.



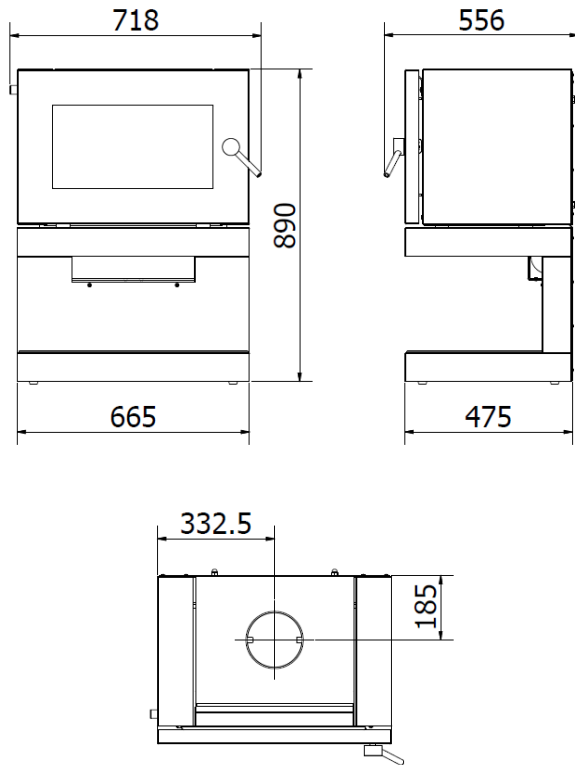
### B605 & B905 – Glass Location

- 1) Press suction cups into the small holes underneath the desired glass location (note, the firebox can be located in the middle of the base, or to the left or right).
- 2) If the firebox body is in the centre, there will be 6 suction cups to be inserted on each side. If the firebox body is located on one side, there will be 9 suction cups to be inserted.
- 3) Locate the glass panel(s) so that the outer edges are inset 3mm from the base outer edges.
- 4) Apply light downward pressure for suction cups to take hold.

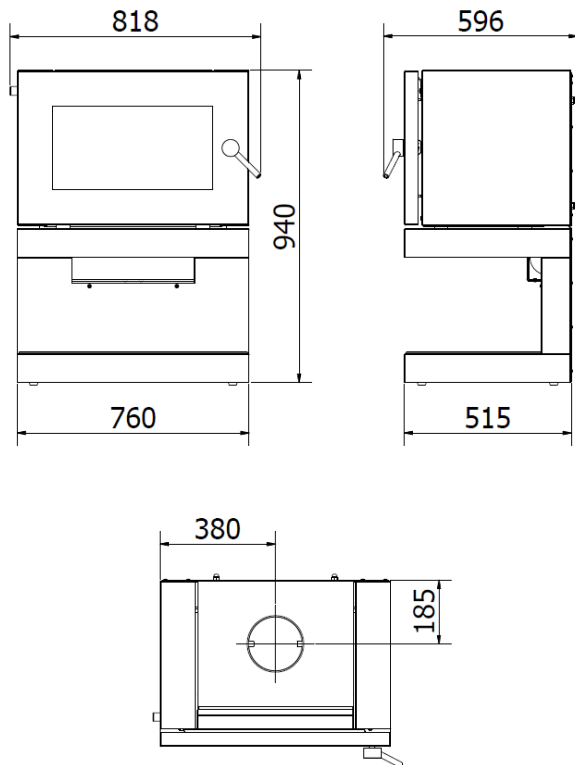


## 12. TECHNICAL DRAWINGS

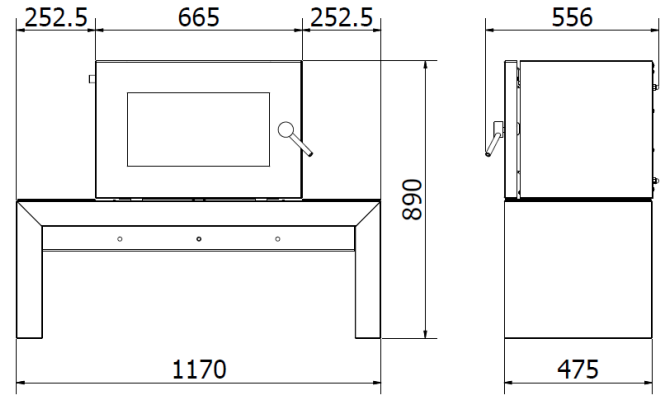
**Model – B600**



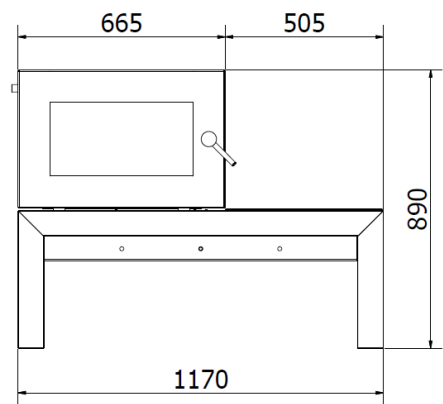
**Model – B900**



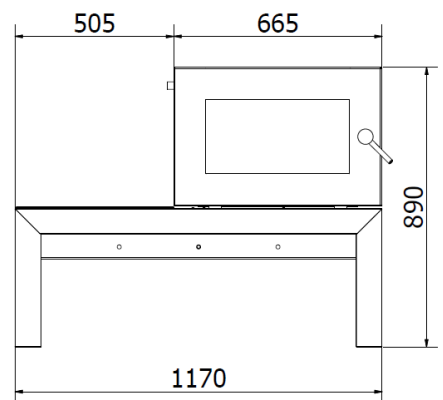
**Model – B605 Middle (default)**



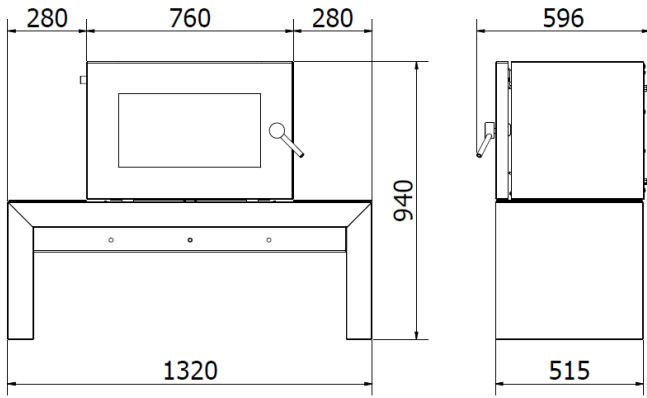
**Model – B605 Left**



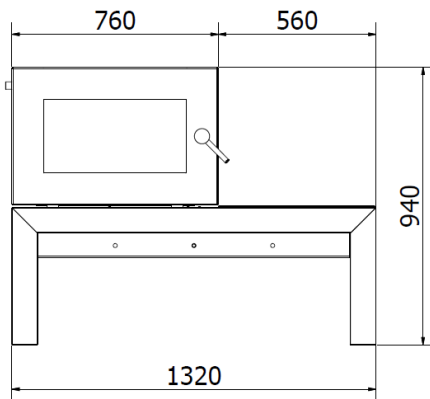
**Model – B605 Right**



**Model – B905 Middle (default)**



**Model – B905 Left**



**Model – B905 Right**

